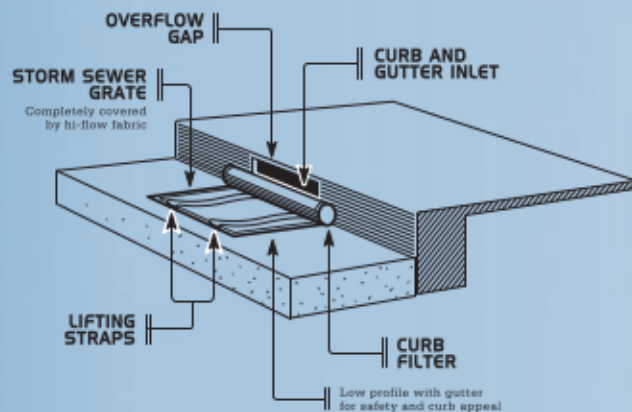
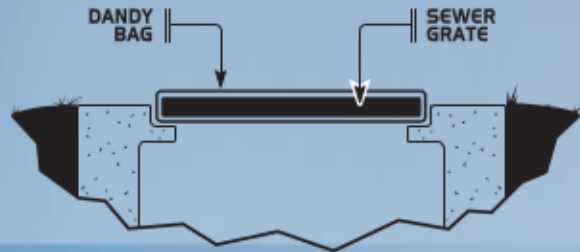


DANDY BAG®

You can tell it's Dandy the moment you open it up. Our patented flagship bag is designed to take a lot of hard knocks. Use the Dandy Bag with flat grates (including round) and mountable curbs to filter out all the sludgy sediment-laden storm water. The suspended solids are allowed to settle out of the slowed flow and are captured by the Dandy Bag prior to entering the inlet, ensuring you regulatory compliance performance.



DANDY CURB BAG®

When you need to be confident of your filtration system - call on the strength of the Dandy Curb Bag. Patented and designed for use on curb and gutter inlets to filter out the most stubborn sediment-laden storm water. The suspended solids are allowed to settle out of the slowed flow and are captured by the rough and tough Dandy Curb Bag prior to entering the inlet.