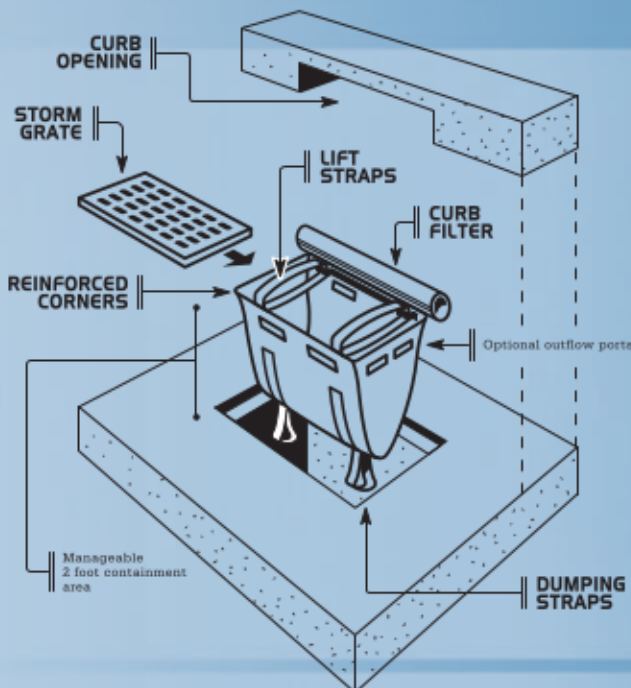


DANDY SACK®

Quality is what the Dandy Sack is all about. This incredibly strong open-top bag is specially designed to hang underneath a storm grate to expertly filter the thickest sediment-laden storm water. The suspended solids are allowed to settle out of the slowed flow and are conveniently captured by the Dandy Sack prior to entering the inlet, making the sturdy Dandy Sack a storm water must.



DANDY CURB SACK®

The rugged Dandy Curb Sack is extremely popular because it can handle jobs big and small and can be reused again and again. With an open-top design it fits to any size curb and gutter inlet. Its unique design allows it to filter sediment-laden water with ease. The suspended solids are allowed to settle out of the slowed flow and are captured quickly before entering the inlet. Once you've tried the durable Dandy Curb Sack you'll want to use them on every job.